



## Independent Protection Co., Inc.

1607 South Main St.

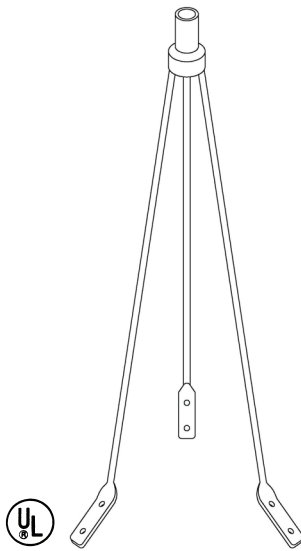
Goshen, IN. 46526

574.533.4116 or 1.800.860.8388

Fax: 574.534.3719

info@ipclp.com www.ipclp.com

UL Listing No. E10913



### **A110X Aluminum Tripod Support**

Furnished in aluminum and used with our strike termination devices up to 5/8" diameter. Braces are made of 1/4" aluminum rod and are easily shaped for securing to roof. Length is 14" for a 24" point. Wt. .26 lbs. each.