



Independent Protection Co., Inc.

1607 South Main St.

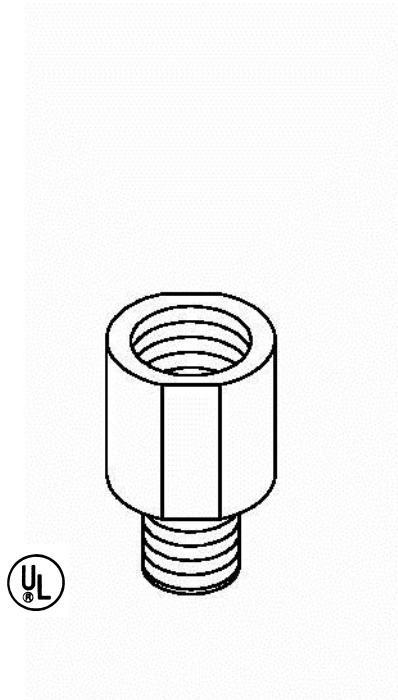
Goshen, IN. 46526

574.533.4116 or 1.800.860.8388

Fax: 574.534.3719

info@ipclp.com www.ipclp.com

UL Listing No. E10913



M60UADP

Fixed Adaptor Female Top to Male Bottom

Machined brass
5/8" female top
1/2" male bottom
Wt. .10 lbs each

Note: Sizing for 5/8" diameter fixed and adjustable adapters is as follows:
Adapter Top: Female threads for air terminal is 5/8" - 11 UNC.
Adapter Bottom: Female threads for bases is 5/8" - 14 UNC.