



## Independent Protection Co., Inc.

1607 South Main St.

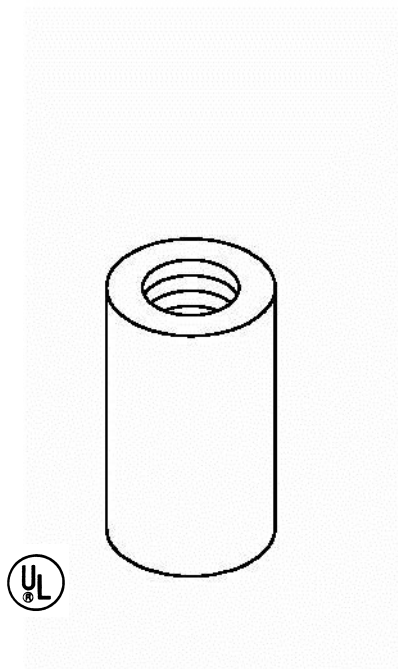
Goshen, IN. 46526

574.533.4116 or 1.800.860.8388

Fax: 574.534.3719

info@ipclp.com www.ipclp.com

UL Listing No. E10913



### MA63X

#### Fixed Adaptor Female Top to Female Bottom

Machined aluminum

1/2" female top

1/2" female bottom

Wt. .08 lbs. each.